



**MICRO SWITCH**  
 FREEPORT ILLINOIS  
 A DIVISION OF HONEYWELL  
 FED. MFG. CODE 91989

# SWITCH - BASIC

CATALOG LISTING  
**BZ - 2R - P4**

JG05700

**BZ - 2R - P4**  
 PAGE 1 OF 1

**M**  
 DRAWING NUMBER

ISSUE **10**

REPLACES

RELEASE NO.

CHECK

29 AUG 05

RJ

CHECK

29 AUG 05

AWA

APR 63

CHECK

16 FEB 63

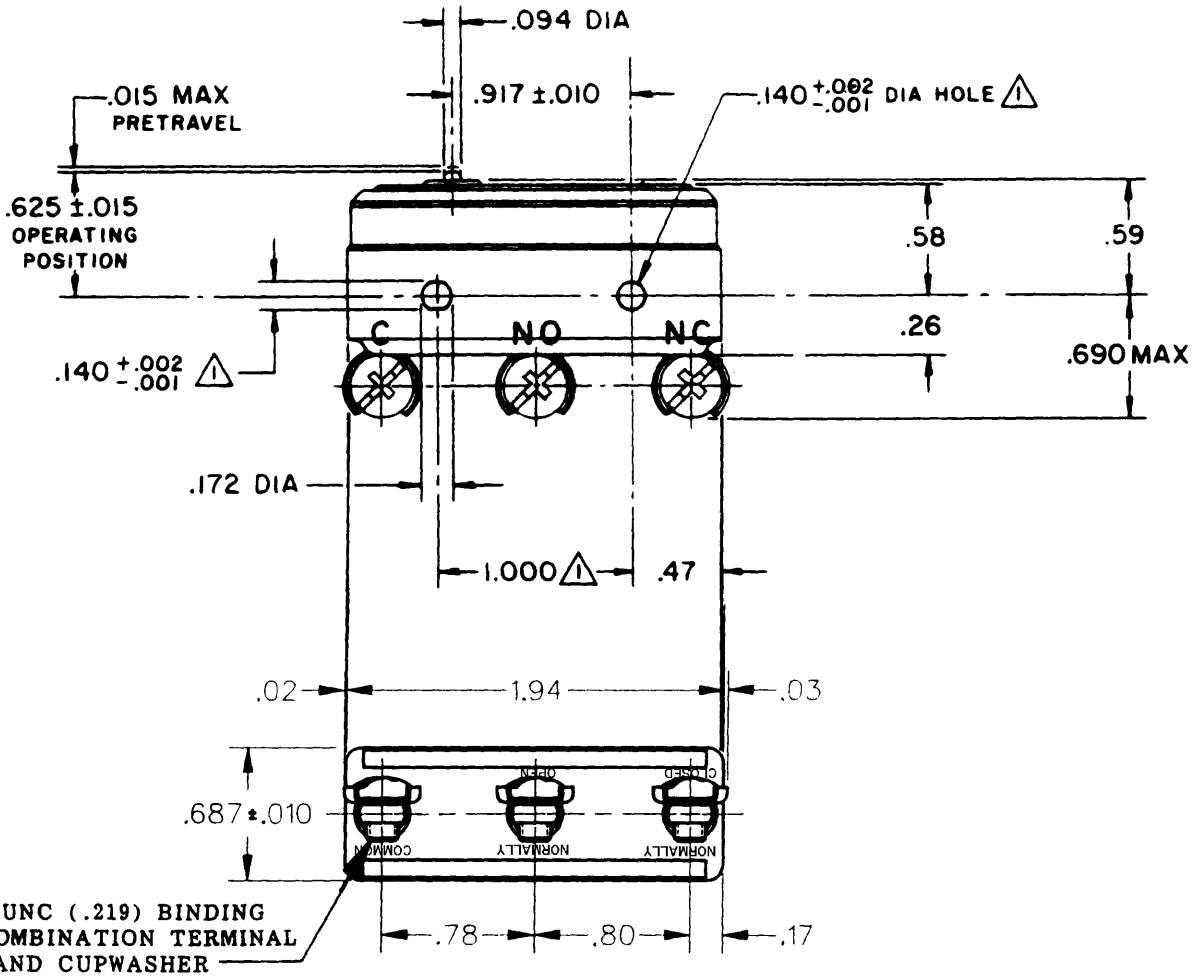
FORMTEK

DRAWN

FO-80378

G C H

29 AUG 05



3X 8-32 UNC (.219) BINDING HEAD COMBINATION TERMINAL SCREW AND CUPWASHER

**NOTE**  
 ▲ MOUNTING HOLES WILL ACCEPT PINS OR SCREWS OF .139 MAX DIA ON 1.000 ± .002 CENTERS

THIS DRAWING COVERS A PROPRIETARY ITEM AND IS THE PROPERTY OF MICRO SWITCH, A DIVISION OF MINNEAPOLIS-HONEYWELL REGULATOR CO. THIS DRAWING IS NOT TO BE COPIED OR USED WITHOUT THE APPROVAL OF MICRO SWITCH.

CHARACTERISTICS		ELECTRICAL DATA		SCALE FULL
OPERATING FORCE	9-13 OZ	CONTACT ARRANGEMENT	S P D T	DO NOT SCALE PRINT
RELEASE FORCE	4 OZ MIN			UNLESS OTHERWISE SPECIFIED DIMENSIONS ARE IN INCHES
DIFFERENTIAL TRAVEL	.0004 - .0020			<b>TOLERANCES ARE:</b>
OVERTRAVEL	.005 MIN			ONE PLACE (.0) ± .030
				TWO PLACE (.00) ± .018
				THREE PLACE (.000) ± .008
				ANGLES ±
				WEIGHT .074 LB

-L96- 15 A-125, 250, OR 480 VAC  
 1/2 A-125 VDC; 1/4 A-250 VDC  
 1/8 HP-125 VAC; 1/4 HP-250 VAC

-L288-  
 -L306-  
 -L315-

CE EN 05 EC

16A 250V T85 5E4